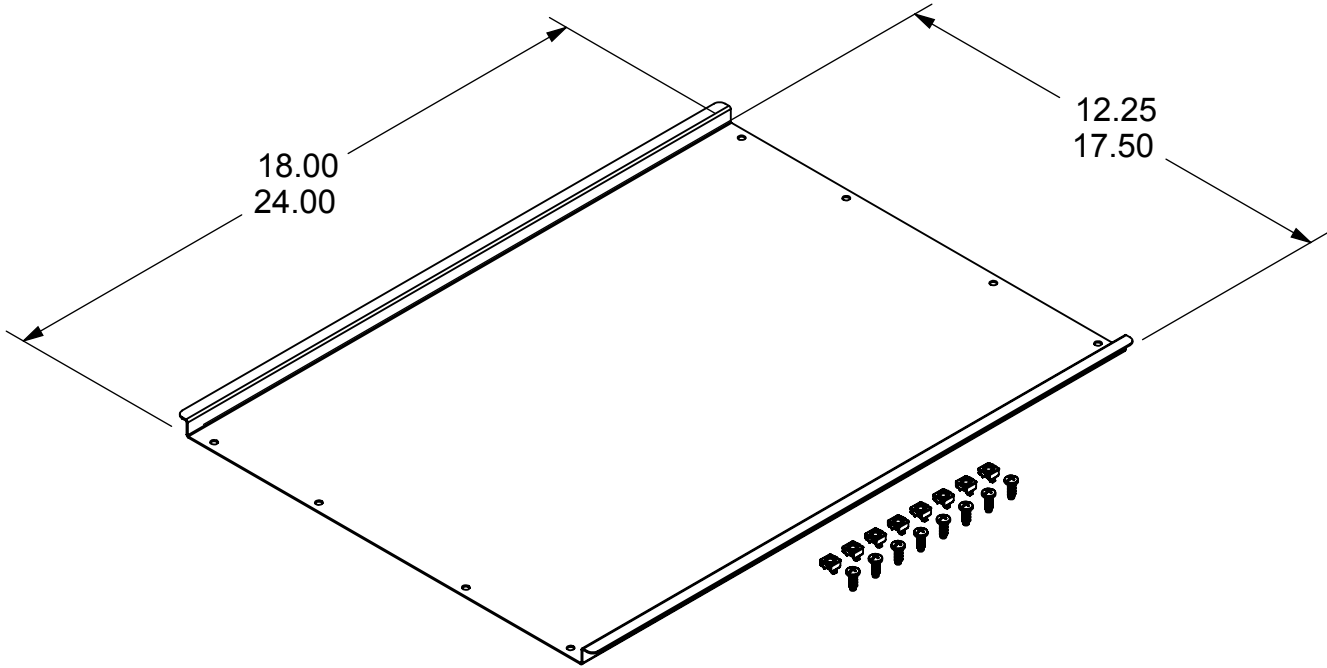


DESCRIPTION	WEIGHT (lbs)
TOP PANEL, SOLID 24"x 30",36",42",48" WIDE ASSY	5.3
TOP PANEL, SOLID 29.5" x 30",36",42",48" WIDE ASSY	7.2
TOP PANEL, SOLID 24"W X 24"D ASSY	4.0
TOP PANEL, SOLID 29.5"W X 24"D ASSY	5.4



ASSEMBLY INCLUDES:

- SOLID TOP PANEL
- EIGHT (8) #12-24 CAGE NUTS & SCREWS

FINISH:


- B (BLACK POWDER)
- A (ACCESS GRAY)

MATERIAL:

- 16 GAUGE STEEL

VTP	S	A	B
V-Line top Panel	Style	Cabinet size	Color
VTP	S Solid top	A 24Wx 30,36,42,48D B 29Wx 30,36,42,48D C 24W x 24D D 29Wx24D	A Gray B Black

THIS DRAWING AND/OR THE TECHNICAL INFORMATION CONTAINED HEREON IS THE PROPERTY OF COOPER B-LINE, INC. ("B-LINE"), AND IS ISSUED IN CONFIDENCE FOR B-LINE ENGINEERING PURPOSES ONLY AND MAY NOT BE REPRODUCED OR USED FOR ANY PURPOSE WHATSOEVER WITHOUT THE EXPRESS WRITTEN PERMISSION OF B-LINE TO THE USER. THIS DRAWING AND/OR TECHNICAL INFORMATION IS THE PROPERTY OF B-LINE AND IS LOANED FOR MUTUAL ASSISTANCE. TO BE RETURNED WHEN ITS INTENDED PURPOSE HAS BEEN SERVED.

 509 West Monroe St. Highland, IL 62249 Phone (800) 851-7415 FAX (800) 356-1438 www.cooperbline.com	SUBMITTAL DRAWING		REFERENCE DWG(S): 00016610	SUBMITTAL NO: S00016610
	TITLE: V-LINE TOP PANEL ASSY, SOLID			DRAWN BY: RLM REV: A
				DATE: 5/18/09
			MODEL SOURCE FILE: 00016610	REV: SHEET: 1 OF 1
<small>EQUIPMENT FURNISHED HAS BEEN FABRICATED IN ACCORDANCE WITH THIS DRAWING.</small>				