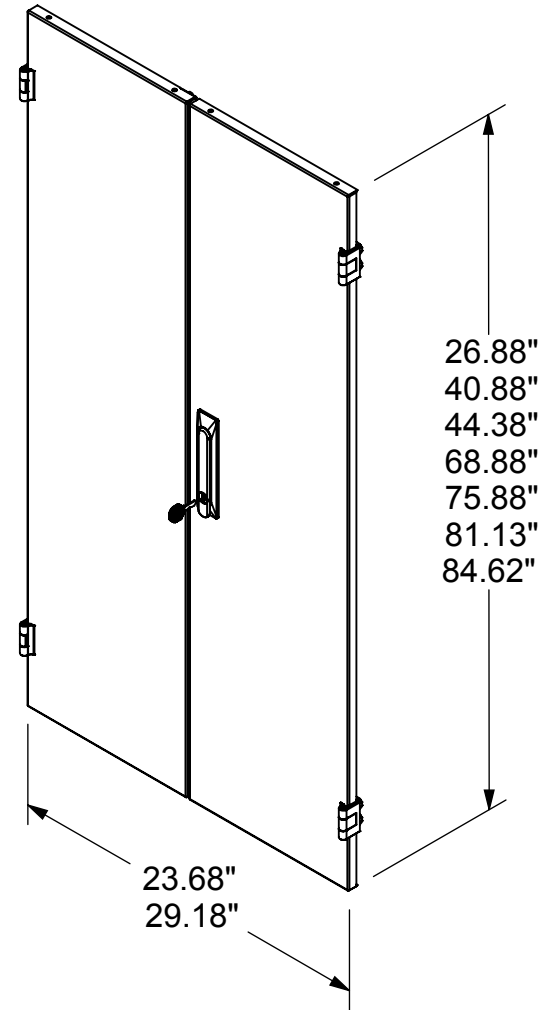


DESCRIPTION	WEIGHT (lbs)
24U X 24"W SOLID SPLIT DOOR	24.3
24U by 29.5"W SOLID SPLIT DOOR	28.0
38U by 24"W SOLID SPLIT DOOR	36.6
38U by 29.5"W SOLID SPLIT DOOR	42.4
42U by 24"W SOLID SPLIT DOOR	40.1
42U by 29.5"W SOLID SPLIT DOOR	46.5
45U by 24"W SOLID SPLIT DOOR	42.8
45U by 29.5"W SOLID SPLIT DOOR	49.5
47U by 24"W SOLID SPLIT DOOR	44.5
47U by 29.5"W SOLID SPLIT DOOR	51.6




SOLID SPLIT DOOR
w/SWING 3 POINT LOCK
SHOWN HERE

- 16GA STEEL CONSTRUCTION
- DOOR LOCK OPTIONS AVAILABLE
- DOOR DESIGN ALLOWS FOR 180 DEGREE OPENING EVEN WHEN GANGED TOGETHER
- DOORS ARE EASILY FIELD REVERSIBLE
- GROUNDING STUDS INCLUDED
- FINISH: ACCESS GRAY (A)
BLACK POWDER (B)

VD	U	T	42	24	A
V-Line Door	Style	Door Lock	Height (u)	Width (in)	Color
VD	U Solid Split	T Swing 3 Point	24	24	A Gray
		D Combo 3 Point	38	29	B Black
		P I Pal 2 Point	42		
			45		
			47		

THIS DRAWING AND/OR THE TECHNICAL INFORMATION CONTAINED HEREON IS THE PROPERTY OF COOPER B-LINE, INC. ("B-LINE"), AND IS ISSUED IN CONFIDENCE FOR B-LINE ENGINEERING PURPOSES ONLY AND MAY NOT BE REPRODUCED OR USED FOR ANY PURPOSE WHATSOEVER WITHOUT THE EXPRESS WRITTEN PERMISSION OF B-LINE TO THE USER. THIS DRAWING AND/OR TECHNICAL INFORMATION IS THE PROPERTY OF B-LINE AND IS LOANED FOR MUTUAL ASSISTANCE. TO BE RETURNED WHEN ITS INTENDED PURPOSE HAS BEEN SERVED.

 509 West Monroe St. Highland, IL 62249 Phone (800) 851-7415 FAX (800) 356-1438 www.cooperbline.com	SUBMITTAL DRAWING		REFERENCE DWG(S):	SUBMITTAL NO: S00016592
	TITLE: V-LINE SPLIT DOOR ASSY SOLID			DRAWN BY: SSINGH REV: A
				DATE: 05/20/09
	EQUIPMENT FURNISHED HAS BEEN FABRICATED IN ACCORDANCE WITH THIS DRAWING.		MODEL SOURCE FILE: 00016592	REV: 00