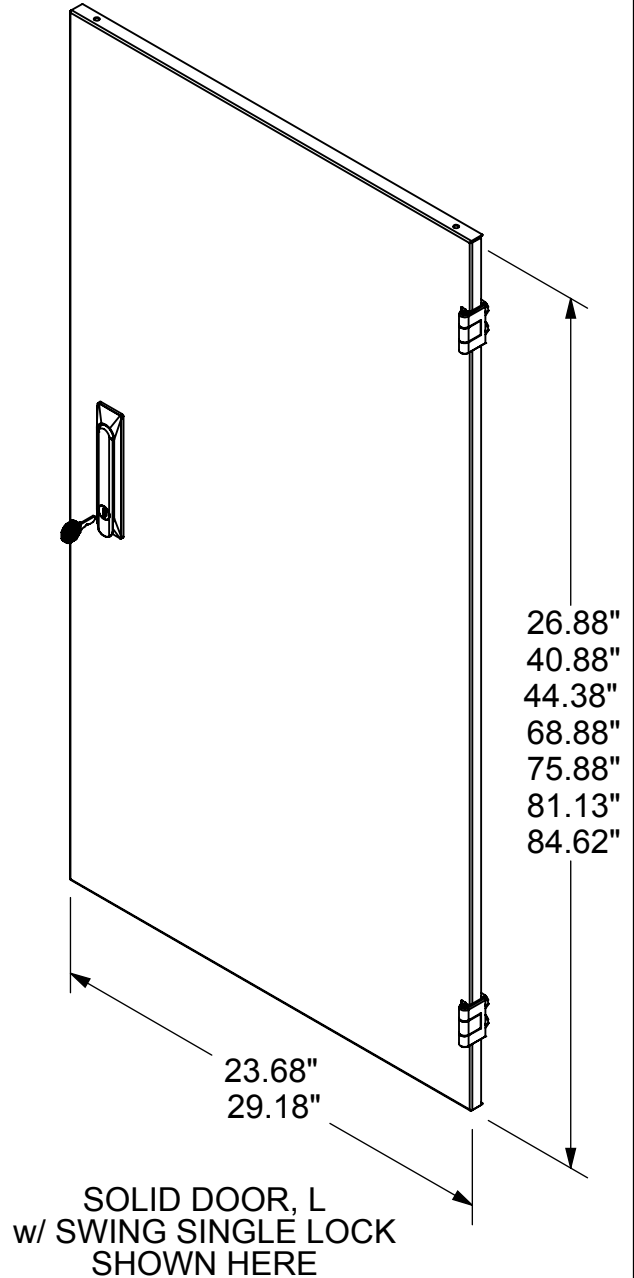



DESCRIPTION	WEIGHT (lbs)
14U by 24"W SOLID DOOR	13.0
14U by 29.5"W SOLID DOOR	15.3
22U by 24"W SOLID DOOR	18.6
22U by 29.5"W SOLID DOOR	22.0
24U by 24"W SOLID DOOR	20.3
24U by 29.5"W SOLID DOOR	24.1
38U by 24"W SOLID DOOR	30.6
38U by 29.5"W SOLID DOOR	36.3
42U by 24"W SOLID DOOR	33.5
42U by 29.5"W SOLID DOOR	39.8
45U by 24"W SOLID DOOR	35.7
45U by 29.5"W SOLID DOOR	42.5
47U by 24"W SOLID DOOR	37.2
47U by 29.5"W SOLID DOOR	44.2



- 16GA STEEL CONSTRUCTION
- DOOR LOCK OPTIONS AVAILABLE
- DOOR DESIGN ALLOWS FOR 180 DEGREE OPENING EVEN WHEN GANGED TOGETHER
- DOORS ARE EASILY FIELD REVERSIBLE
- GROUNDING STUDS INCLUDED
- FINISH: ACCESS GRAY (A)
BLACK POWDER (B)

VD	S	S	42	24	A
V-Line Door	Style	Door Lock	Height (u)	Width (in)	Color
VD	S Solid L	S Swing Single	14	24	A Gray
	T Solid R	C Combo Single	22	29	B Black
		T Swing 3 Point	24		
		D Combo 3 Point	38		
		P I Pal 2 Point	42		
			45		
			47		

THIS DRAWING AND/OR THE TECHNICAL INFORMATION CONTAINED HEREON IS THE PROPERTY OF COOPER B-LINE, INC. ("B-LINE"), AND IS ISSUED IN CONFIDENCE FOR B-LINE ENGINEERING PURPOSES ONLY AND MAY NOT BE REPRODUCED OR USED FOR ANY PURPOSE WHATSOEVER WITHOUT THE EXPRESS WRITTEN PERMISSION OF B-LINE TO THE USER. THIS DRAWING AND/OR TECHNICAL INFORMATION IS THE PROPERTY OF B-LINE AND IS LOANED FOR MUTUAL ASSISTANCE. TO BE RETURNED WHEN ITS INTENDED PURPOSE HAS BEEN SERVED.

 <p>13755 Stead Blvd. Reno, NV 89506 Phone (775) 677-0855 FAX (775) 677-1429 www.cooperbline.com</p>	SUBMITTAL DRAWING		REFERENCE DWG(S):	SUBMITTAL NO: S00016628
	TITLE: V-LINE DOOR ASSEMBLY, SOLID			DRAWN BY: SSINGH REV: A
				DATE: 05/19/09
		EQUIPMENT FURNISHED HAS BEEN FABRICATED IN ACCORDANCE WITH THIS DRAWING.	MODEL SOURCE FILE: 00016628 REV: 00	SHEET: 1 OF 1