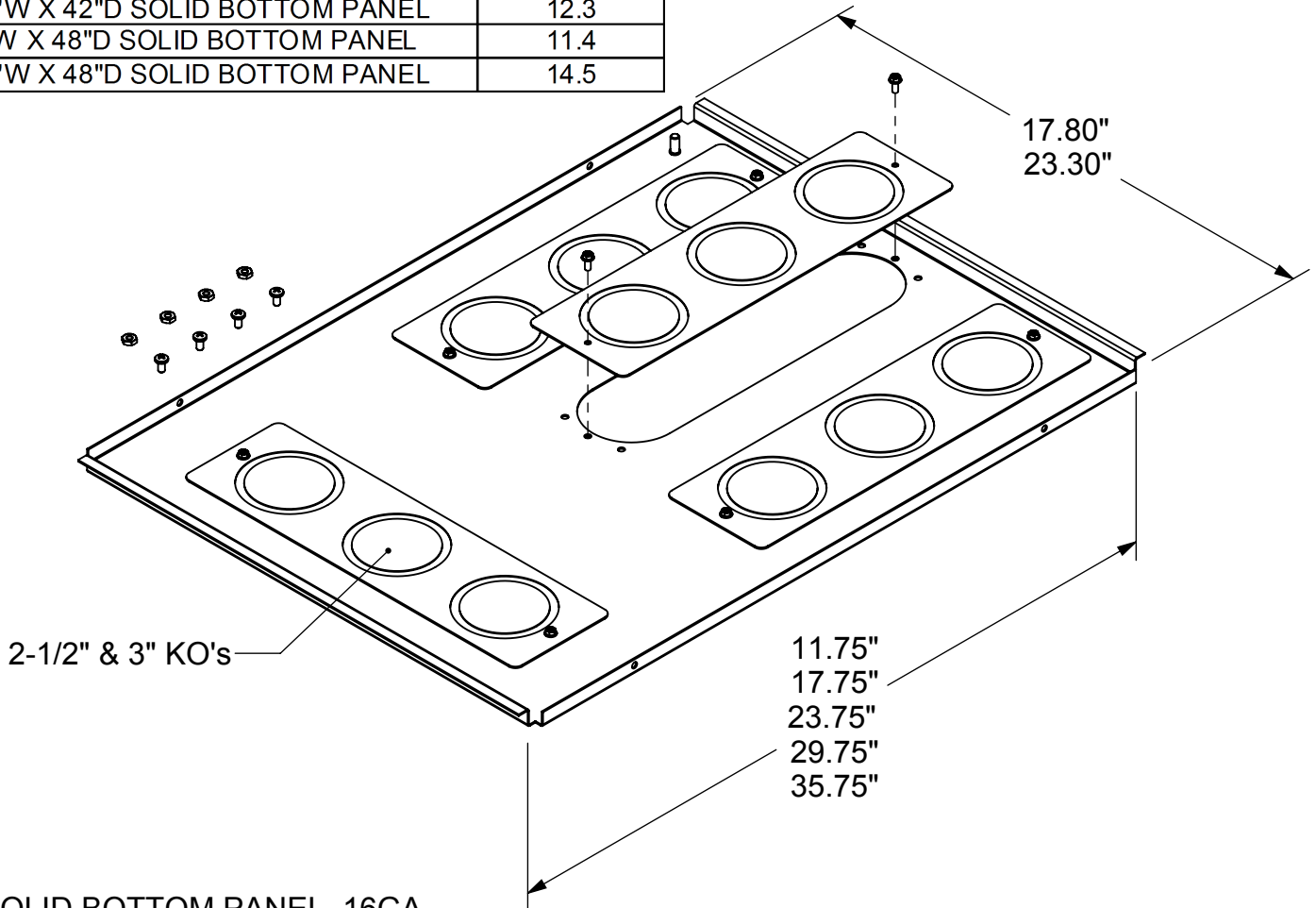



DESCRIPTION	WEIGHT (lbs)
24"W X 24"D SOLID BOTTOM PANEL	4.2
29.5"W X 24"D SOLID BOTTOM PANEL	5.3
24"W X 30"D SOLID BOTTOM PANEL	6.2
29.5"W X 30"D SOLID BOTTOM PANEL	7.8
24"W X 36"D SOLID BOTTOM PANEL	8.1
29.5"W X 36"D SOLID BOTTOM PANEL	10.2
24"W X 42"D SOLID BOTTOM PANEL	9.8
29.5"W X 42"D SOLID BOTTOM PANEL	12.3
24"W X 48"D SOLID BOTTOM PANEL	11.4
29.5"W X 48"D SOLID BOTTOM PANEL	14.5



- SOLID BOTTOM PANEL, 16GA
- FOUR (4) REMOVABLE VOZIP PLATES
- FOUR (4) #10-32 x 3/8" SCREWS
- FOUR (4) #10-32 NUTS
- FINISH: ACCESS GRAY (A)
BLACK POWDER (B)

VB	SP	24	30	B
V-Line Bottom	Style	Width (in)	Depth (in)	Color
VB	SP Solid (w/ozipts)	24 29	24 30 36 42 48	A Gray B Black

THIS DRAWING AND/OR THE TECHNICAL INFORMATION CONTAINED HEREON IS THE PROPERTY OF COOPER B-LINE, INC. ("B-LINE"), AND IS ISSUED IN CONFIDENCE FOR B-LINE ENGINEERING PURPOSES ONLY AND MAY NOT BE REPRODUCED OR USED FOR ANY PURPOSE WHATSOEVER WITHOUT THE EXPRESS WRITTEN PERMISSION OF B-LINE TO THE USER. THIS DRAWING AND/OR TECHNICAL INFORMATION IS THE PROPERTY OF B-LINE AND IS LOANED FOR MUTUAL ASSISTANCE. TO BE RETURNED WHEN ITS INTENDED PURPOSE HAS BEEN SERVED.

 <p>509 West Monroe St. Highland, IL 62249 Phone (800) 851-7415 FAX (800) 356-1438 www.cooperbline.com</p>	SUBMITTAL DRAWING		REFERENCE DWG(S):	SUBMITTAL NO: S00016609
	TITLE: V-LINE BOTTOM PANEL, SOLID			DRAWN BY: SSINGH REV: A
				DATE: 05/11/09
		EQUIPMENT FURNISHED HAS BEEN FABRICATED IN ACCORDANCE WITH THIS DRAWING.	MODEL SOURCE FILE: 00016609 REV: 00	SHEET: 1 OF 1