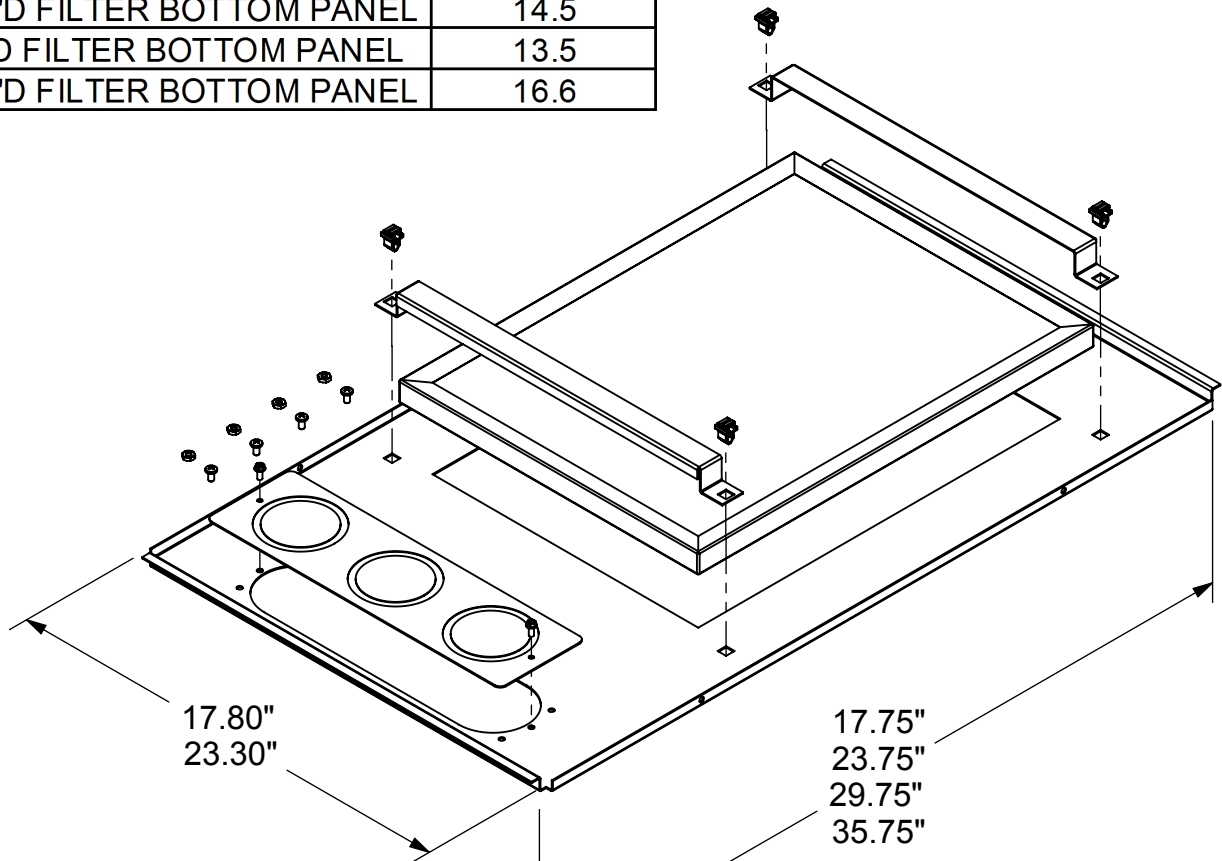



DESCRIPTION	WEIGHT (lbs)
24"W X 30"D FILTER BOTTOM PANEL	8.2
29.5"W X 30"D FILTER BOTTOM PANEL	9.9
24"W X 36"D FILTER BOTTOM PANEL	10.2
29.5"W X 36"D FILTER BOTTOM PANEL	12.3
24"W X 42"D FILTER BOTTOM PANEL	11.9
29.5"W X 42"D FILTER BOTTOM PANEL	14.5
24"W X 48"D FILTER BOTTOM PANEL	13.5
29.5"W X 48"D FILTER BOTTOM PANEL	16.6



- BOTTOM PANEL, 16GA
- FILTER BRACKET, 16GA
- FILTER, 13-1/4" X 17-1/2"
- ONE (1) REMOVABLE VOZIP PLATES
- FOUR (4) #10-32 x 3/8" SCREWS
- FOUR (4) #10-32 NUTS
- FOUR (4) QUARTER TURN FASTENERS
- FINISH: ACCESS GRAY (A)  
BLACK POWDER (B)

VB	FP	24	30	B
V-Line Bottom	Style	Width (in)	Depth (in)	Color
VB	FP Filter panel	24 29	30 36 42 48	A Gray B Black

THIS DRAWING AND/OR THE TECHNICAL INFORMATION CONTAINED HEREON IS THE PROPERTY OF COOPER B-LINE, INC. ("B-LINE"), AND IS ISSUED IN CONFIDENCE FOR B-LINE ENGINEERING PURPOSES ONLY AND MAY NOT BE REPRODUCED OR USED FOR ANY PURPOSE WHATSOEVER WITHOUT THE EXPRESS WRITTEN PERMISSION OF B-LINE TO THE USER. THIS DRAWING AND/OR TECHNICAL INFORMATION IS THE PROPERTY OF B-LINE AND IS LOANED FOR MUTUAL ASSISTANCE. TO BE RETURNED WHEN ITS INTENDED PURPOSE HAS BEEN SERVED.

 <p>509 West Monroe St. Highland, IL 62249 Phone (800) 851-7415 FAX (800) 356-1438 www.cooperbline.com</p>	<b>SUBMITTAL DRAWING</b>		REFERENCE DWG(S):	SUBMITTAL NO: <b>S00016442</b>
	TITLE: <b>V-LINE BOTTOM PANEL w/FILTER</b>			DRAWN BY: <b>SSINGH</b> REV. <b>A</b> DATE: <b>05/11/09</b>
	EQUIPMENT FURNISHED HAS BEEN FABRICATED IN ACCORDANCE WITH THIS DRAWING.		MODEL SOURCE FILE: <b>00016442</b> REV: <b>00</b>	SHEET: <b>1 OF 1</b>