

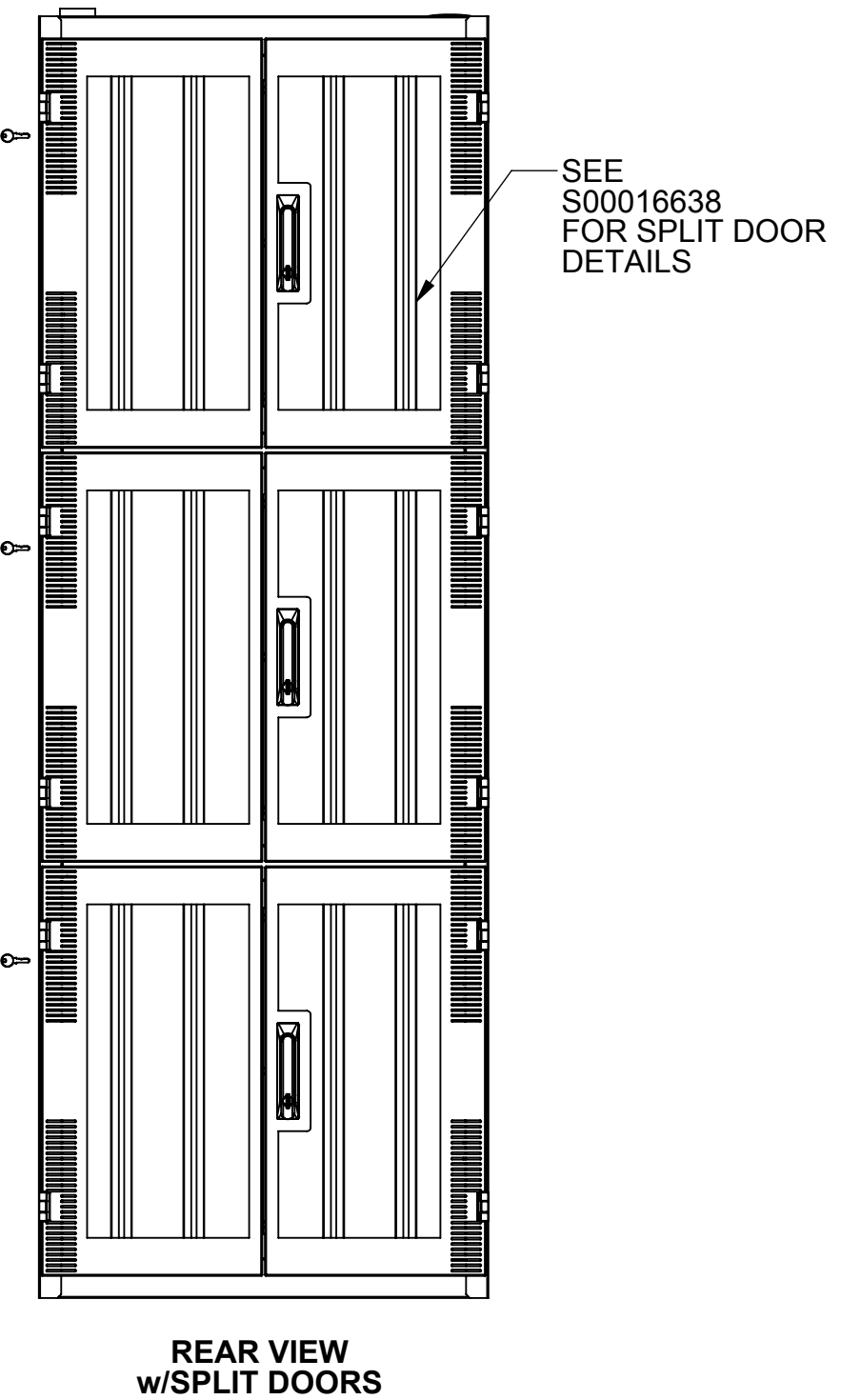
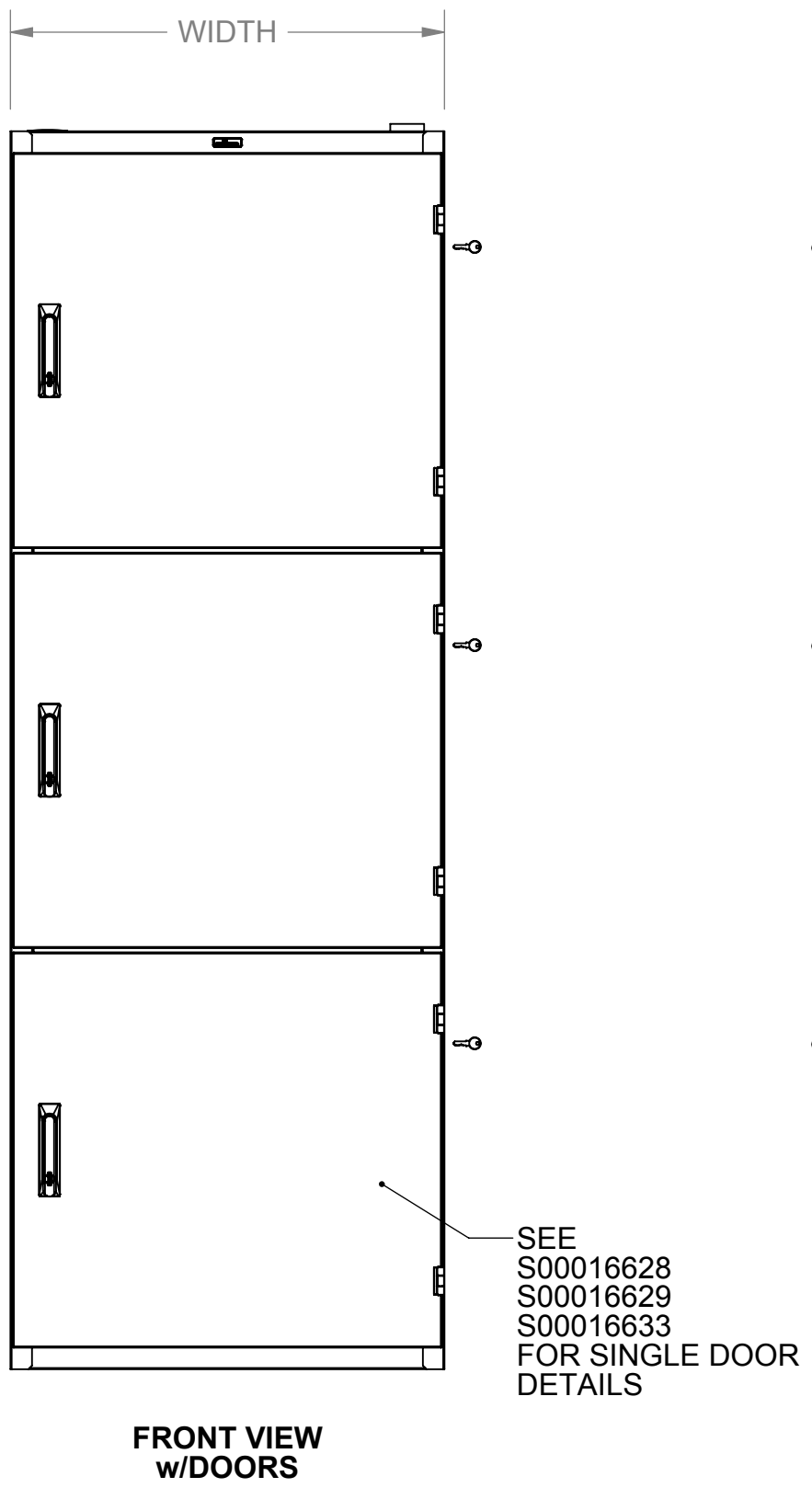
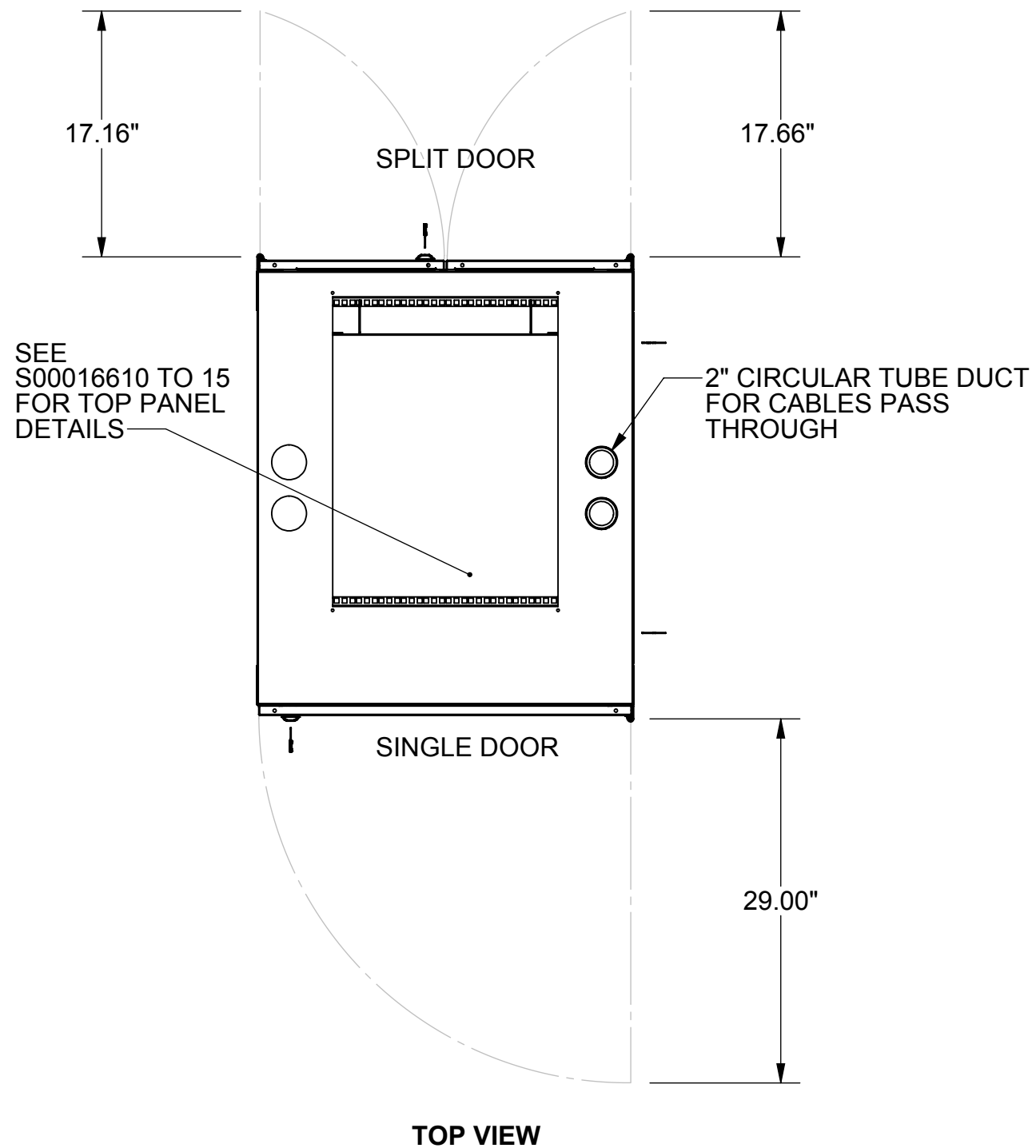
VC	3	45	29	36	A	S	X	T	S	S	S	B
V-line CoLocation	Compartments	Height (u)	Width (in)	Depth (in)	Rails	Front Doors	Rear Doors	*Door Lock	Left Side Panels	Right Side	Top Panel	Color
VC	2 (22U ea.)	45	29	36	A 19" SQ	V HF Vented L	V HF Vented L	S swing single	S Solid	S Solid	S Solid top	A Gray
	3 (14Uea.)			42	C 19" Tap	W HF Vented R	W HF Vented R	C combo single	V Vented	V Vented	V Vented top	B Black
				48	X HF Vented Split (NA with S,C locks)	X HF Vented Split (NA with S,C locks)	T swing 3 point	N None	N None	1 1100 CFM		
				S Solid L	S Solid L	D combo 3 point			2 210 CFM			
				T Solid R	T Solid R	P i-pal 2 point			4 420 CFM			
				A Acrylic L	A Acrylic L	N None			5 550 CFM			
				B Acrylic R	B Acrylic R				N None			
N None	N None											

*front and rear doors include same lock, all compartments


- NOTES:**
- 16GA STEEL CONSTRUCTION.
 - FULLY ADJUSTABLE RAILS (12-24/SQUARE)
 - FINISH : GRAY
BLACK

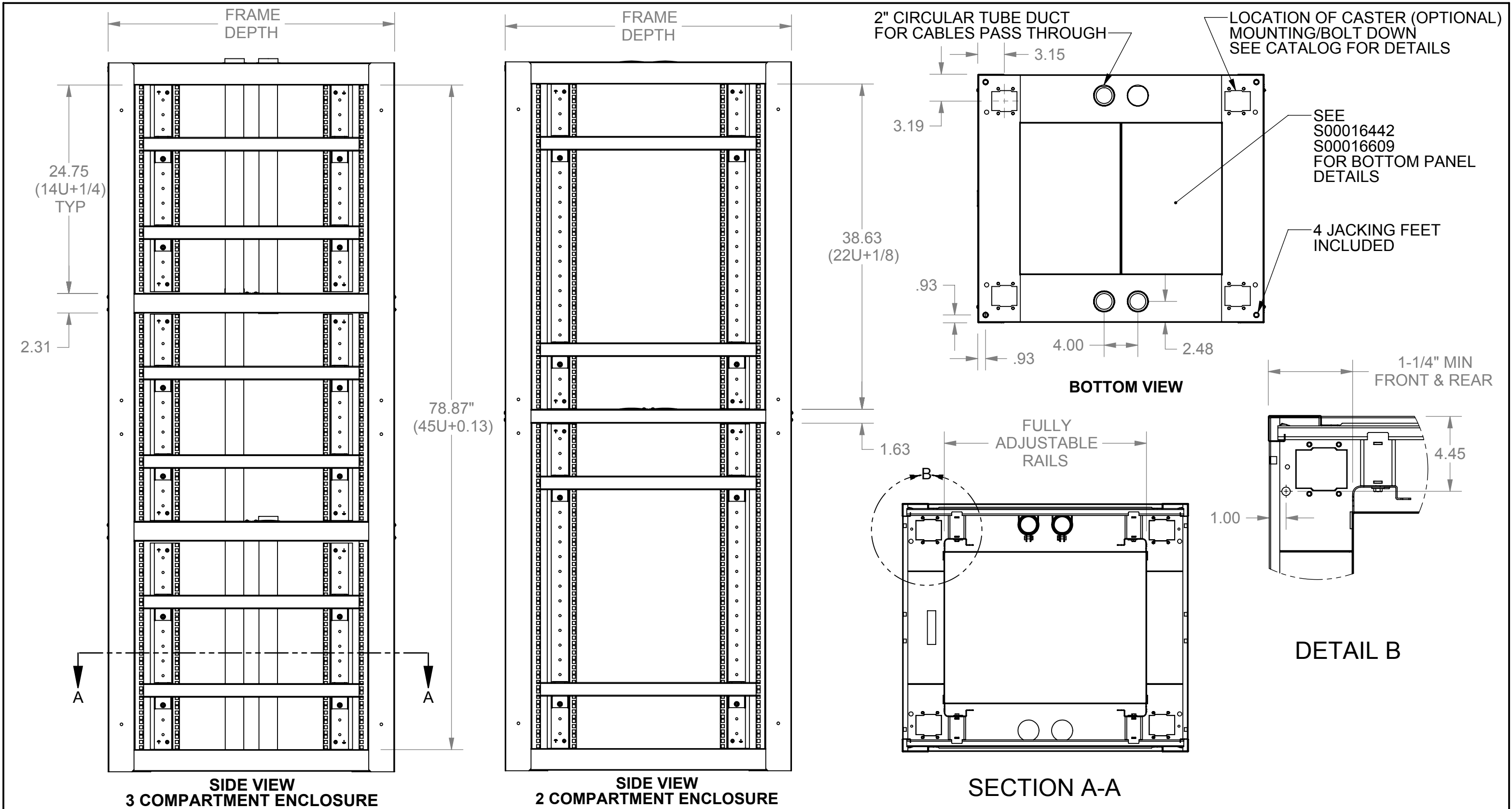
SEE
S00016617
S00016619
FOR SIDE PANEL
DETAILS

<p>THIS DRAWING AND/OR THE TECHNICAL INFORMATION CONTAINED HEREON IS THE PROPERTY OF COOPER B-LINE, INC. ("B-LINE"), AND IS ISSUED IN CONFIDENCE FOR B-LINE ENGINEERING PURPOSES ONLY AND MAY NOT BE REPRODUCED OR USED FOR ANY PURPOSE WHATSOEVER WITHOUT THE EXPRESS WRITTEN PERMISSION OF B-LINE TO THE USER. THIS DRAWING AND/OR TECHNICAL INFORMATION IS THE PROPERTY OF B-LINE AND IS LOANED FOR MUTUAL ASSISTANCE. TO BE RETURNED WHEN ITS INTENDED PURPOSE HAS BEEN SERVED.</p>		<p>REFERENCE DWG(S):</p>		<p>SUBMITTAL NO:</p>	
<p>COOPER B-Line</p> <p>509 West Monroe St. Highland, IL 62249 Phone (800) 851-7415 FAX (800) 356-1438 www.cooperbline.com</p>		<p>SUBMITTAL DRAWING</p> <p>TITLE: V-LINE CO-LOCATION CABINET ASSY</p>		<p>S00016639</p>	
		<p>MODEL SOURCE FILE: S00016639</p>		<p>DRAWN BY: SSINGH</p>	
		<p>REV: 01</p>		<p>REV: B</p>	
		<p>EQUIPMENT FURNISHED HAS BEEN FABRICATED IN ACCORDANCE WITH THIS DRAWING.</p>		<p>DATE: 05/20/09</p>	
				<p>SHEET: 1 OF 4</p>	



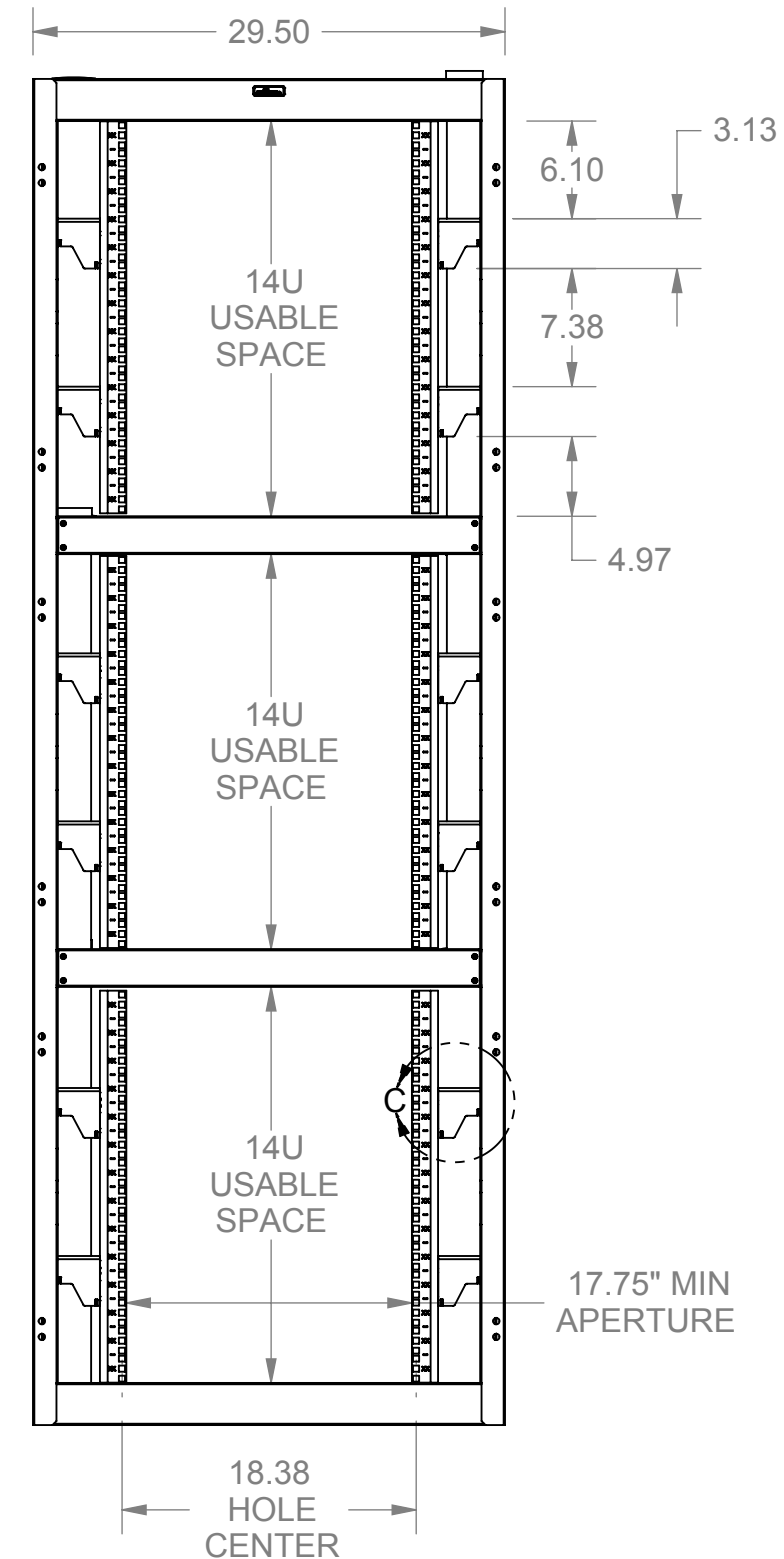
THIS DRAWING AND/OR THE TECHNICAL INFORMATION CONTAINED HEREON IS THE PROPERTY OF COOPER B-LINE, INC. ("B-LINE"), AND IS ISSUED IN CONFIDENCE FOR B-LINE ENGINEERING PURPOSES ONLY AND MAY NOT BE REPRODUCED OR USED FOR ANY PURPOSE WHATSOEVER WITHOUT THE EXPRESS WRITTEN PERMISSION OF B-LINE TO THE USER. THIS DRAWING AND/OR TECHNICAL INFORMATION IS THE PROPERTY OF B-LINE AND IS LOANED FOR MUTUAL ASSISTANCE. TO BE RETURNED WHEN ITS INTENDED PURPOSE HAS BEEN SERVED.

 509 West Monroe St. Highland, IL 62249 Phone (800) 851-7415 FAX (800) 356-1438 www.cooperbline.com	SUBMITTAL DRAWING		REFERENCE DWG(S):	SUBMITTAL NO: S00016639
	TITLE: V-LINE CO-LOCATION CABINET ASSY		MODEL SOURCE FILE: S00016639	DRAWN BY: SSINGH
	EQUIPMENT FURNISHED HAS BEEN FABRICATED IN ACCORDANCE WITH THIS DRAWING.		REV: 01	REV. B DATE: 05/20/09 SHEET: 2 OF 4

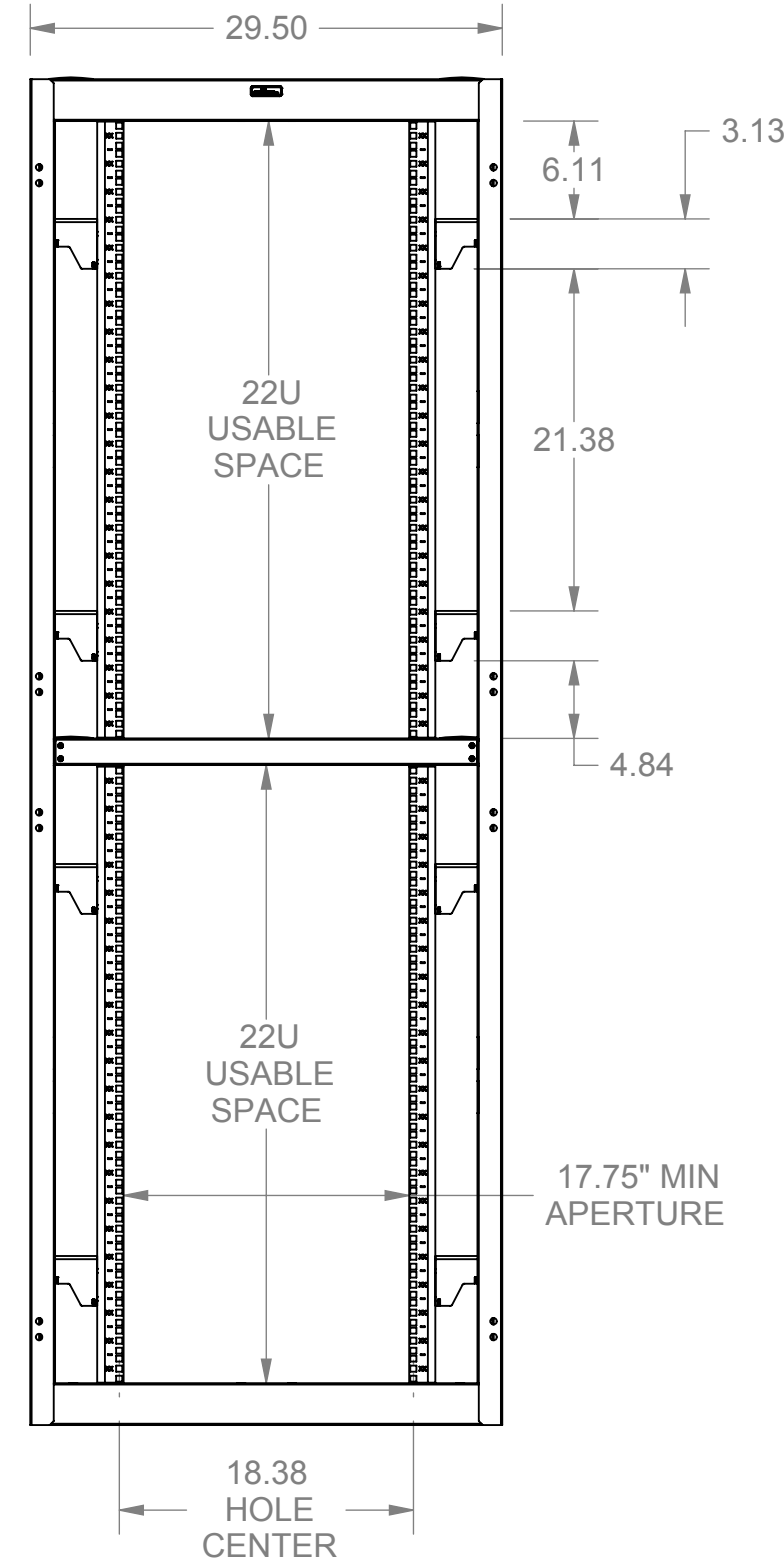


THIS DRAWING AND/OR THE TECHNICAL INFORMATION CONTAINED HEREON IS THE PROPERTY OF COOPER B-LINE, INC. ("B-LINE"), AND IS ISSUED IN CONFIDENCE FOR B-LINE ENGINEERING PURPOSES ONLY AND MAY NOT BE REPRODUCED OR USED FOR ANY PURPOSE WHATSOEVER WITHOUT THE EXPRESS WRITTEN PERMISSION OF B-LINE TO THE USER. THIS DRAWING AND/OR TECHNICAL INFORMATION IS THE PROPERTY OF B-LINE AND IS LOANED FOR MUTUAL ASSISTANCE. TO BE RETURNED WHEN ITS INTENDED PURPOSE HAS BEEN SERVED.

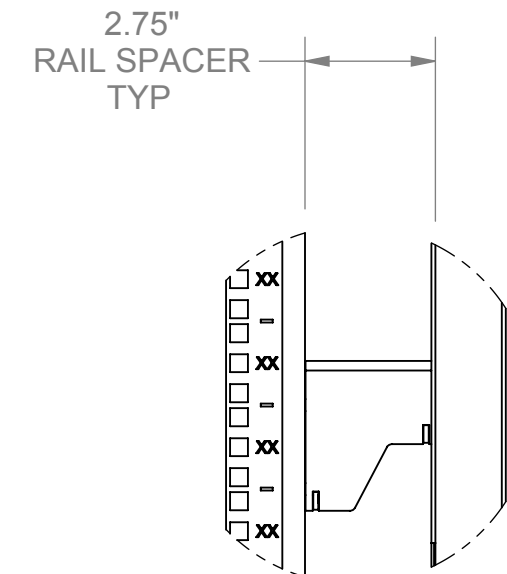
<p>509 West Monroe St. Highland, IL 62249 Phone (800) 851-7415 FAX (800) 356-1438 www.cooperbline.com</p>	<p>SUBMITTAL DRAWING</p>		<p>REFERENCE DWG(S):</p>	<p>SUBMITTAL NO:</p> <p>S00016639</p>
	<p>TITLE:</p> <p>V-LINE CO-LOCATION CABINET ASSY</p>		<p>DRAWN BY:</p> <p>SSINGH</p>	<p>REV:</p> <p>B</p>
	<p>EQUIPMENT FURNISHED HAS BEEN FABRICATED IN ACCORDANCE WITH THIS DRAWING.</p>		<p>DATE:</p> <p>05/20/09</p>	<p>SHEET:</p> <p>3 OF 4</p>
	<p>MODEL SOURCE FILE:</p> <p>S00016673</p>	<p>REV:</p> <p>00</p>		



**FRONT VIEW
w/19" RAIL CENTERED
3 COMPARTMENT ENCLOSURE**



**FRONT VIEW
w/19" RAIL CENTERED
2 COMPARTMENT ENCLOSURE**



DETAIL C

THIS DRAWING AND/OR THE TECHNICAL INFORMATION CONTAINED HEREON IS THE PROPERTY OF COOPER B-LINE, INC. ("B-LINE"), AND IS ISSUED IN CONFIDENCE FOR B-LINE ENGINEERING PURPOSES ONLY AND MAY NOT BE REPRODUCED OR USED FOR ANY PURPOSE WHATSOEVER WITHOUT THE EXPRESS WRITTEN PERMISSION OF B-LINE TO THE USER. THIS DRAWING AND/OR TECHNICAL INFORMATION IS THE PROPERTY OF B-LINE AND IS LOANED FOR MUTUAL ASSISTANCE. TO BE RETURNED WHEN ITS INTENDED PURPOSE HAS BEEN SERVED.

<p>COOPER B-Line</p> <p>509 West Monroe St. Highland, IL 62249 Phone (800) 851-7415 FAX (800) 356-1438 www.cooperblinc.com</p>	<p>SUBMITTAL DRAWING</p>		<p>REFERENCE DWG(S):</p>	<p>SUBMITTAL NO:</p> <p>S00016639</p>	
	<p>TITLE:</p> <p>V-LINE CO-LOCATION CABINET ASSY</p>		<p>DRAWN BY:</p> <p>SSINGH</p>	<p>REV:</p> <p>B</p>	
	<p>EQUIPMENT FURNISHED HAS BEEN FABRICATED IN ACCORDANCE WITH THIS DRAWING.</p>		<p>MODEL SOURCE FILE:</p> <p>S00016673</p>	<p>REV:</p> <p>00</p>	<p>DATE:</p> <p>05/20/09</p>
			<p>SHEET:</p> <p>4 OF 4</p>		