

V	45	24	24	A	C	S	U	T	S	T	S
V-Line	H (U)	Width (in)	D (in)	Rails	Rail position	Front Door	Rear Door	*Door Lock	Left Side Panel	Right Side Panel	Top Panel
V	24	24 (NA w/B,D rails or L,R position)	24	A 19" SQ	L left	V HF Vented L	V HF Vented L	S swing single	S Solid full height (NA for 42UX48"D, 45UX48"D, 47UX48"D)	S Solid full height (NA for 42UX48"D, 45UX48"D, 47UX48"D)	S Solid top
	38	29	30	C 19" Tap	C Center	W HF Vented R	W HF Vented R	C combo single	T Solid split (NA for 24U)	T Solid split (NA for 24U H)	V Vented top
	42		36	B 23" SQ	R Right	X HF Vented Split (NA w/S,C locks)	X HF Vented Split (NA w/S,C locks)	T swing 3 point	V Vented full height (NA for 42UX48"D, 45UX48"D, 47UX48"D)	V Vented full height (NA for 42UX48"D, 45UX48"D, 47UX48"D)	1 1100 CFM (NA for 24"D)
	45		42	D 23" Tap		S Solid L	S Solid L	D combo 3 point	W Vented Split (NA for 24U)	W Vented Split (NA for 24U H)	2 210 CFM
	47		48			T Solid R	T Solid R	P i-pal 2 point	N None	N None	4 420 CFM
						U Solid Split (NA w/S,C locks)	U Solid Split (NA w/S,C locks)	N None (if no doors)			5 550 CFM
						A Acrylic L	A Acrylic L				N None
						B Acrylic R	B Acrylic R				
						C Vented Acrylic L	C Vented Acrylic L	*front and rear doors include same lock			
						D Vented Acrylic R	D Vented Acrylic R				
						F Split Fan Door (NA w/S,C locks)	F Split Fan Door (NA w/S,C locks)				
						N None	N None				

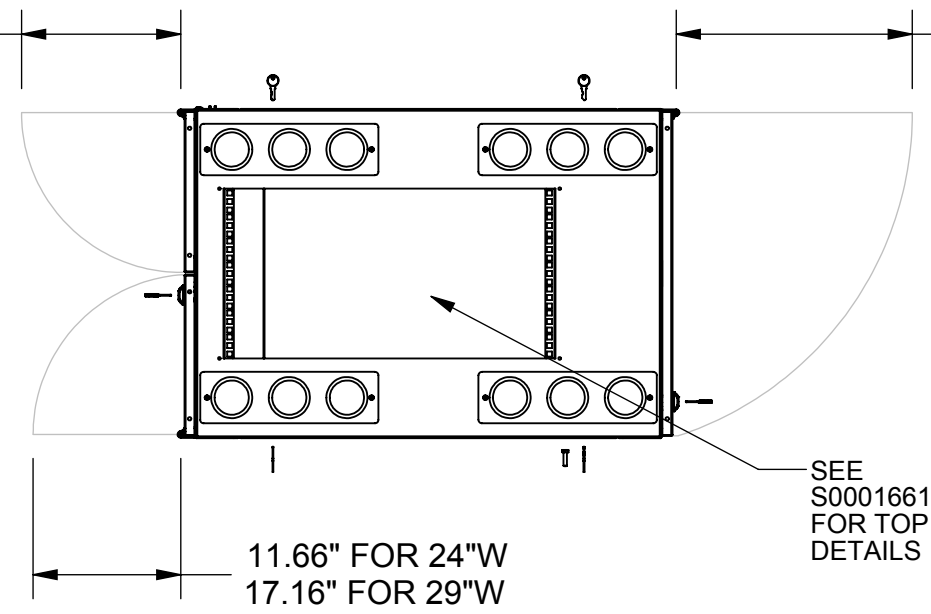


SIDE VIEW w/SINGLE PANEL

2.63
TOP & BOTTOM

12.16" FOR 24"W
17.66" FOR 29"W

23.50" FOR 24"W
29.00" FOR 29"W



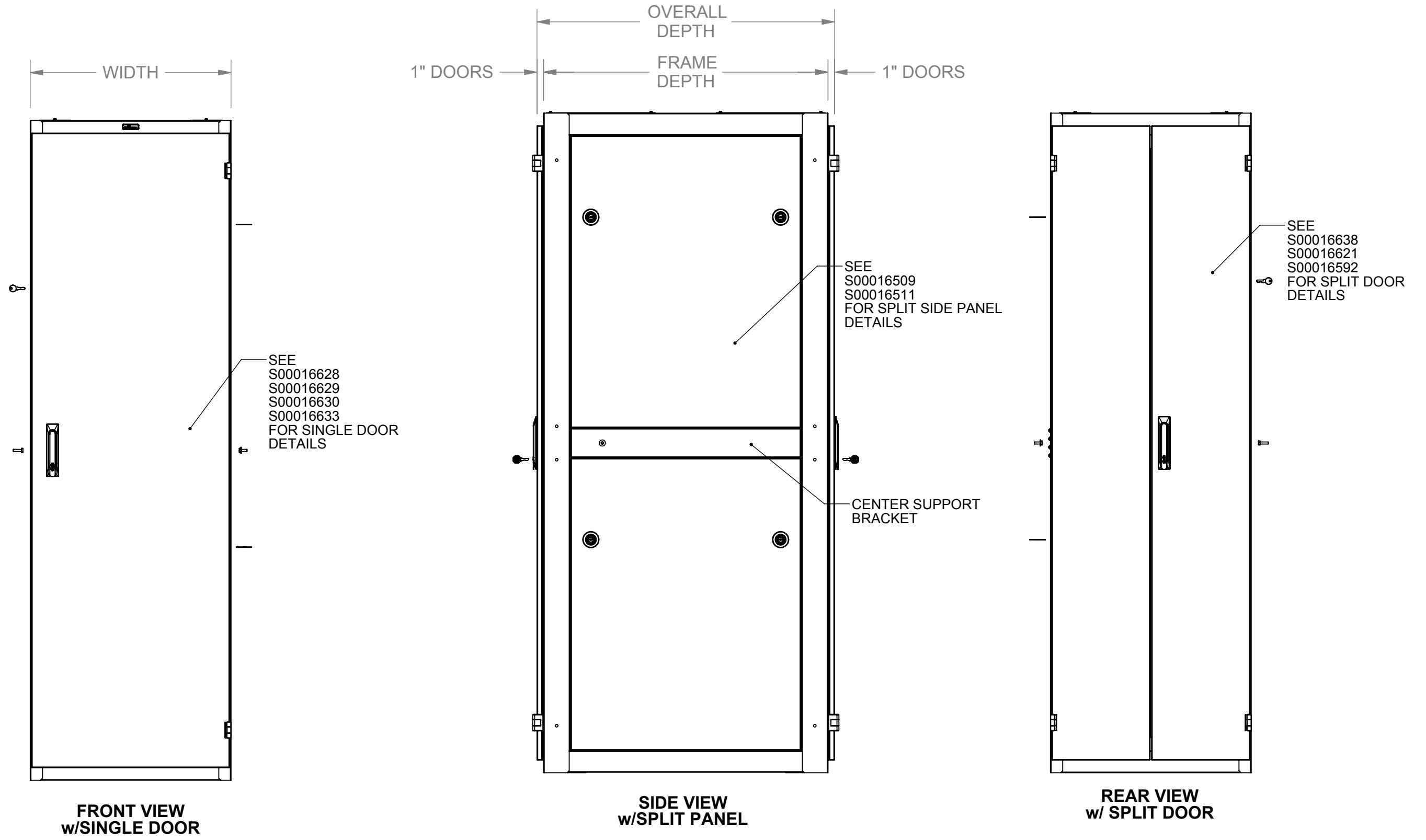
TOP VIEW

SEE S00016610 TO 15 FOR TOP PANEL DETAILS


- NOTES:**
- 16GA STEEL CONSTRUCTION
 - FINISH : GRAY BLACK

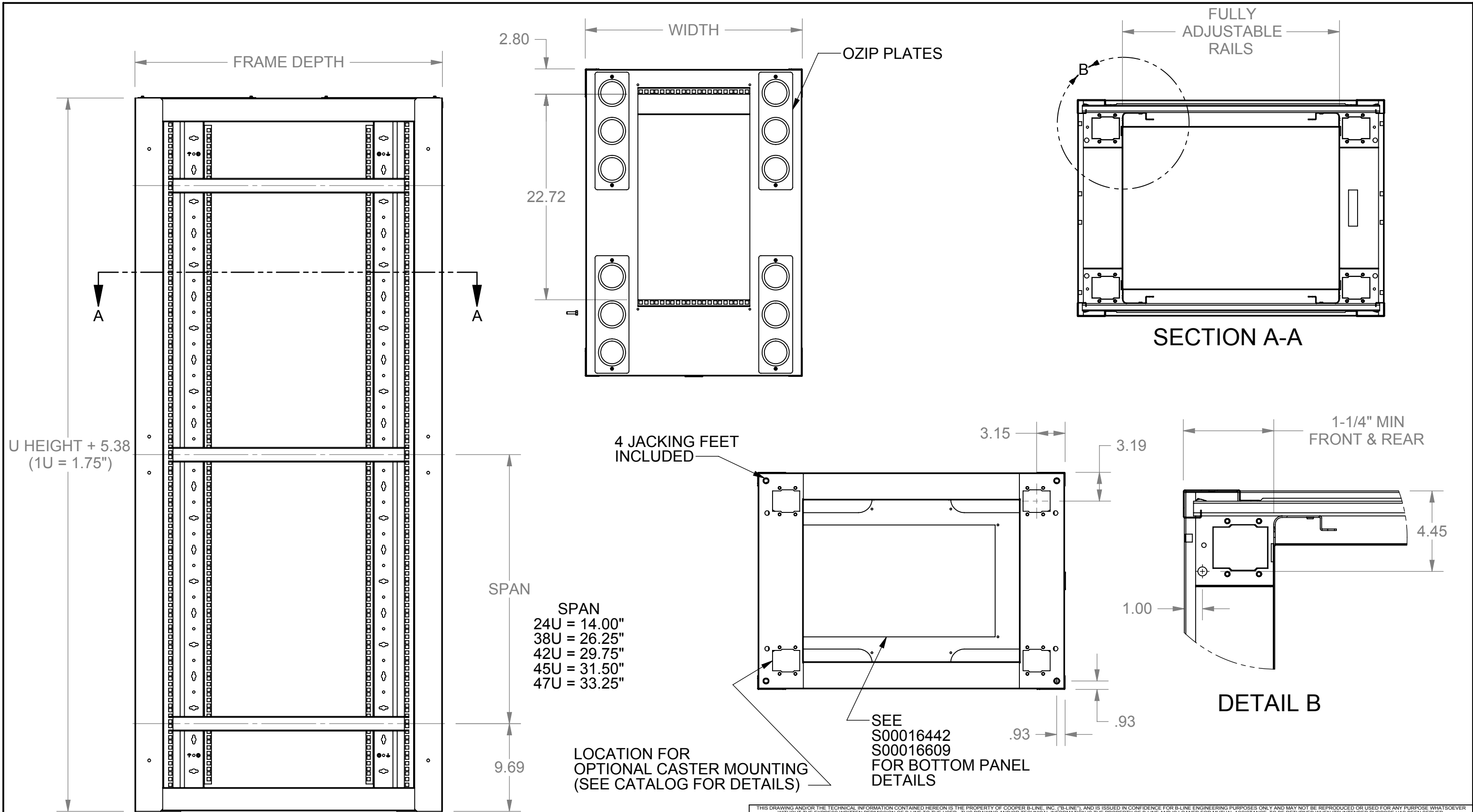
THIS DRAWING AND/OR THE TECHNICAL INFORMATION CONTAINED HEREON IS THE PROPERTY OF COOPER B-LINE, INC. ("B-LINE"), AND IS ISSUED IN CONFIDENCE FOR B-LINE ENGINEERING PURPOSES ONLY AND MAY NOT BE REPRODUCED OR USED FOR ANY PURPOSE WHATSOEVER WITHOUT THE EXPRESS WRITTEN PERMISSION OF B-LINE TO THE USER. THIS DRAWING AND/OR TECHNICAL INFORMATION IS THE PROPERTY OF B-LINE AND IS LOANED FOR MUTUAL ASSISTANCE. TO BE RETURNED WHEN ITS INTENDED PURPOSE HAS BEEN SERVED.

<p>509 West Monroe St. Highland, IL 62249 Phone (800) 851-7415 FAX (800) 356-1438 www.cooperbline.com</p>	<p>SUBMITTAL DRAWING</p> <p>TITLE: V LINE CABINET ASSY</p>		<p>REFERENCE DWG(S):</p>	<p>SUBMITTAL NO:</p> <p>S00016583</p>
	<p>EQUIPMENT FURNISHED HAS BEEN FABRICATED IN ACCORDANCE WITH THIS DRAWING.</p>		<p>MODEL SOURCE FILE: S00016583</p>	<p>DATE: 05/18/09</p>



THIS DRAWING AND/OR THE TECHNICAL INFORMATION CONTAINED HEREON IS THE PROPERTY OF COOPER B-LINE, INC. ("B-LINE"), AND IS ISSUED IN CONFIDENCE FOR B-LINE ENGINEERING PURPOSES ONLY AND MAY NOT BE REPRODUCED OR USED FOR ANY PURPOSE WHATSOEVER WITHOUT THE EXPRESS WRITTEN PERMISSION OF B-LINE TO THE USER. THIS DRAWING AND/OR TECHNICAL INFORMATION IS THE PROPERTY OF B-LINE AND IS LOANED FOR MUTUAL ASSISTANCE. TO BE RETURNED WHEN ITS INTENDED PURPOSE HAS BEEN SERVED.

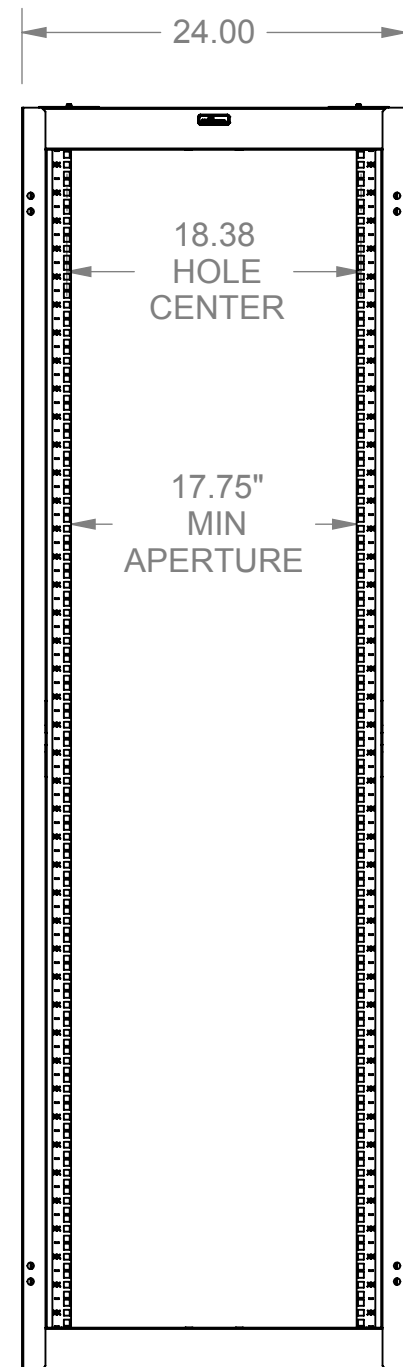
 509 West Monroe St. Highland, IL 62249 Phone (800) 851-7415 FAX (800) 356-1438 www.cooperbline.com	SUBMITTAL DRAWING		REFERENCE DWG(S):	SUBMITTAL NO: S00016583
	TITLE: V LINE CABINET ASSY		DRAWN BY: SSINGH	REV: B
			DATE: 05/18/09	SHEET: 2 OF 4
	EQUIPMENT FURNISHED HAS BEEN FABRICATED IN ACCORDANCE WITH THIS DRAWING.		MODEL SOURCE FILE: S00016583	REV: 00



THIS DRAWING AND/OR THE TECHNICAL INFORMATION CONTAINED HEREON IS THE PROPERTY OF COOPER B-LINE, INC. ("B-LINE"), AND IS ISSUED IN CONFIDENCE FOR B-LINE ENGINEERING PURPOSES ONLY AND MAY NOT BE REPRODUCED OR USED FOR ANY PURPOSE WHATSOEVER WITHOUT THE EXPRESS WRITTEN PERMISSION OF B-LINE TO THE USER. THIS DRAWING AND/OR TECHNICAL INFORMATION IS THE PROPERTY OF B-LINE AND IS LOANED FOR MUTUAL ASSISTANCE. TO BE RETURNED WHEN ITS INTENDED PURPOSE HAS BEEN SERVED.

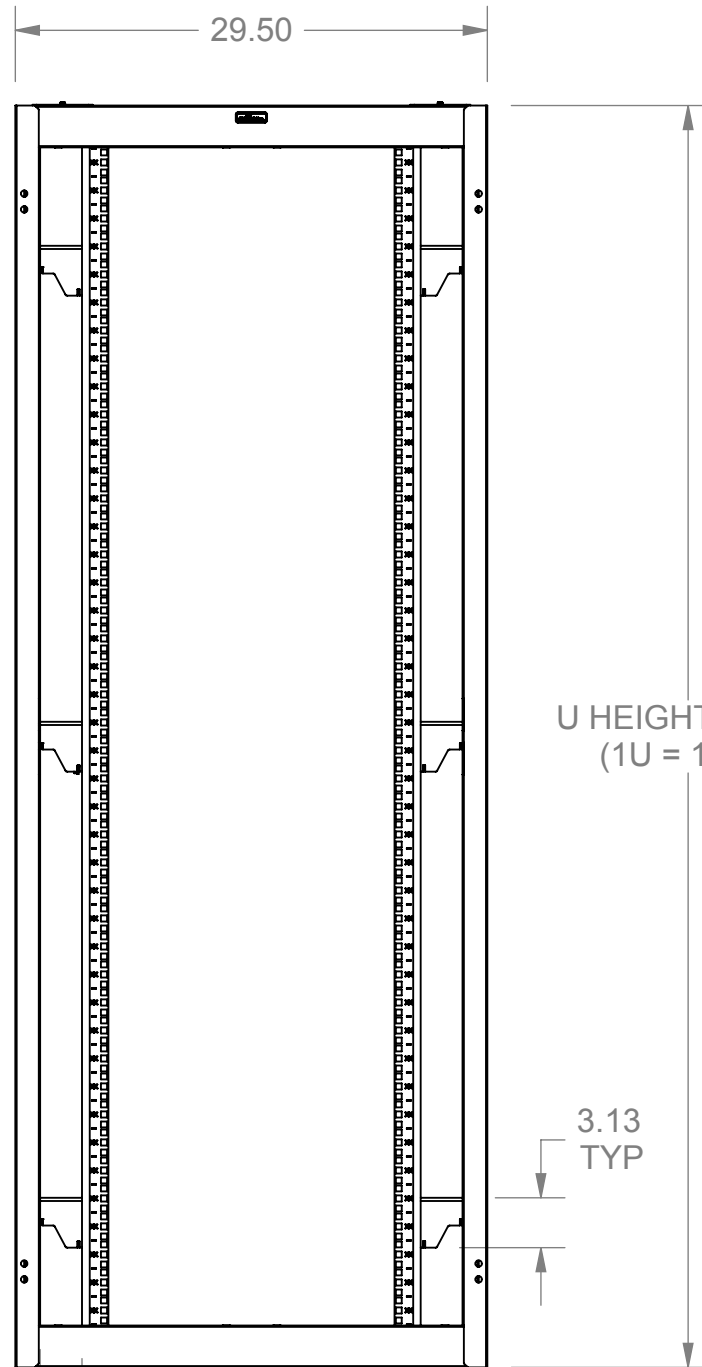
<p>509 West Monroe St. Highland, IL 62249 Phone (800) 851-7415 FAX (800) 356-1438 www.cooperblinc.com</p>	<p>SUBMITTAL DRAWING</p> <p>TITLE: V LINE CABINET ASSY</p>		<p>REFERENCE DWG(S):</p>	<p>SUBMITTAL NO:</p> <p>S00016583</p>
	<p>EQUIPMENT FURNISHED HAS BEEN FABRICATED IN ACCORDANCE WITH THIS DRAWING.</p>		<p>MODEL SOURCE FILE: S00016583</p>	<p>DRAWN BY: SSINGH</p> <p>REV: B</p> <p>DATE: 05/18/09</p> <p>SHEET: 3 OF 4</p>

**CENTERED RAILS SHOWN
w/NO RAIL SPACERS**



**FRONT VIEW
24"W ENCLOSURE**

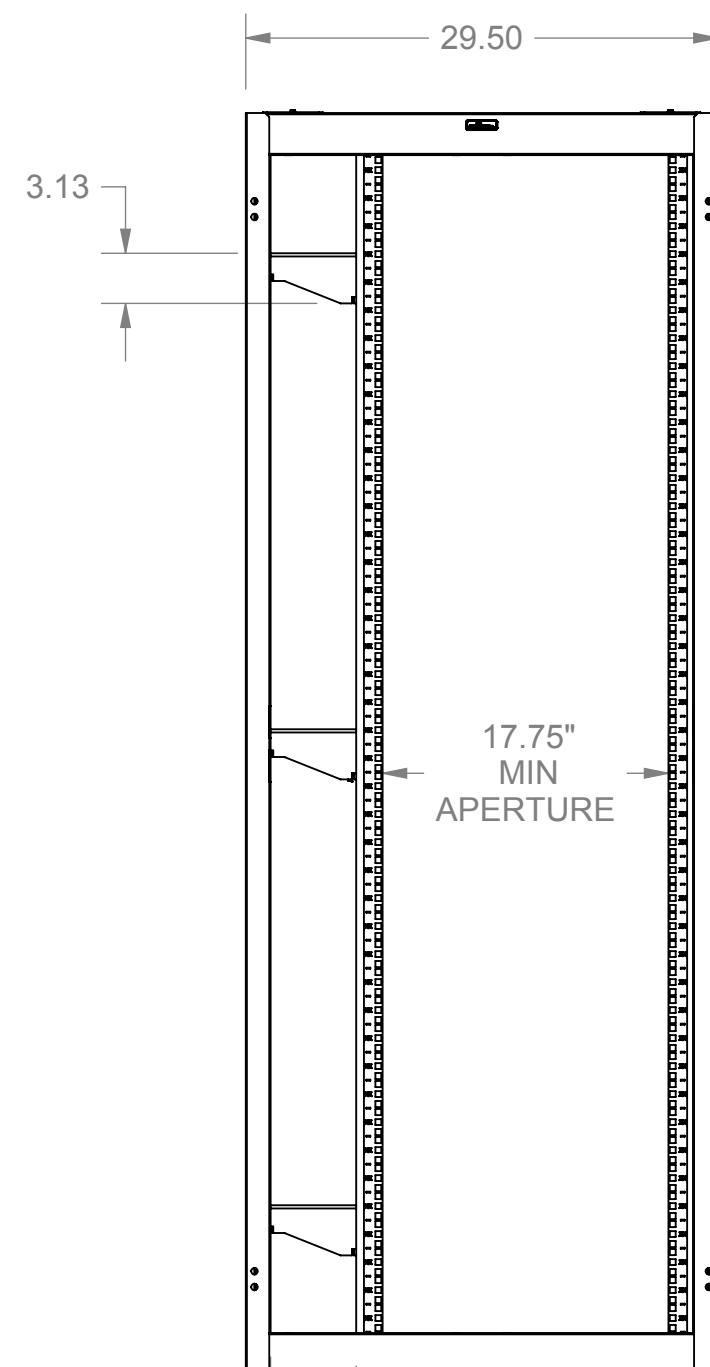
**CENTERED RAILS SHOWN
w/RAIL SPACERS**



**FRONT VIEW
29.5"W ENCLOSURE**

2.75" SPACERS
(19" RAIL SPACING)
0.75" SPACERS
(23" RAIL SPACING)


**OFFSET RAILS SHOWN
w/RAIL SPACERS
29.5"W CABINET ONLY**



**FRONT VIEW
29.5"W ENCLOSURE**

5.50" SPACERS
(19" RAIL SPACING)
1.50" SPACERS
(23" RAIL SPACING)

THIS DRAWING AND/OR THE TECHNICAL INFORMATION CONTAINED HEREON IS THE PROPERTY OF COOPER B-LINE, INC. ("B-LINE"), AND IS ISSUED IN CONFIDENCE FOR B-LINE ENGINEERING PURPOSES ONLY AND MAY NOT BE REPRODUCED OR USED FOR ANY PURPOSE WHATSOEVER WITHOUT THE EXPRESS WRITTEN PERMISSION OF B-LINE TO THE USER. THIS DRAWING AND/OR TECHNICAL INFORMATION IS THE PROPERTY OF B-LINE AND IS LOANED FOR MUTUAL ASSISTANCE. TO BE RETURNED WHEN ITS INTENDED PURPOSE HAS BEEN SERVED.

 509 West Monroe St. Highland, IL 62249 Phone (800) 851-7415 FAX (800) 356-1438 www.cooperblinc.com	SUBMITTAL DRAWING		REFERENCE DWG(S):	SUBMITTAL NO:	
	TITLE: V LINE CABINET ASSY			S00016583	
			DRAWN BY: SSINGH	REV: B	DATE: 05/18/09
			MODEL SOURCE FILE: S00016583	REV: 00	SHEET: 4 OF 4
<small>EQUIPMENT FURNISHED HAS BEEN FABRICATED IN ACCORDANCE WITH THIS DRAWING.</small>					