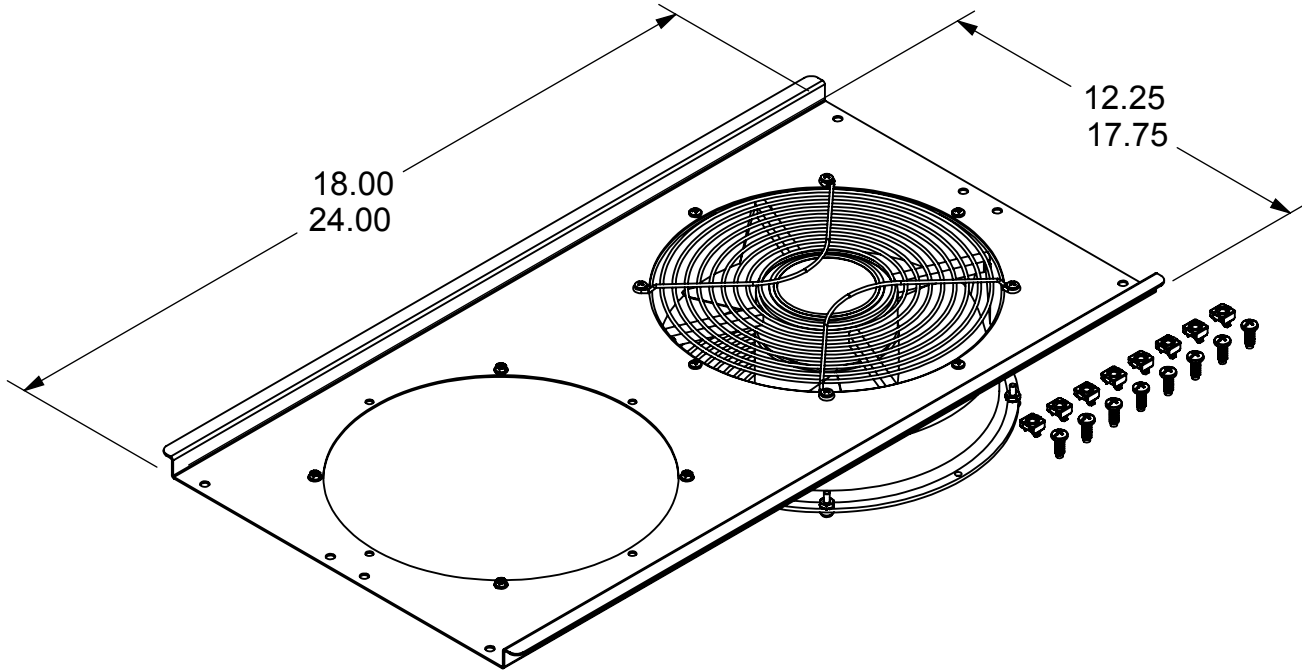


DESCRIPTION	WEIGHT (lbs)
V-LINE TOP PANEL ASSY, 550 CFM FAN, 24"W x 30,36,42,48"D	14.2
V-LINE TOP PANEL ASSY, 550 CFM FAN, 29.5" W x 30,36,42,48"D	16.1
V-LINE TOP PANEL ASSY, 550 CFM FAN, 24" W x 24" D	12.4
V-LINE TOP PANEL ASSY, 550 CFM FAN, 29.5" W x 24" D	13.8



**ASSEMBLY INCLUDES:**

- FAN TOP PANEL
- ONE (1) AC FAN, 550 CFM FAN
- POWER CORD
- EIGHT (8) #12-24 CAGE NUTS & SCREWS

**FINISH:**


- B (BLACK POWDER)
- A (ACCESS GRAY)

**MATERIAL:**

- 16 GAUGE STEEL

VTP	5	A	B
V-Line top Panel	Style	Cabinet size	Color
VTP	5 550 CFM	A 24Wx 30,36,42,48D B 29Wx 30,36,42,48D C 24W x 24D D 29Wx24D	A Gray B Black

THIS DRAWING AND/OR THE TECHNICAL INFORMATION CONTAINED HEREON IS THE PROPERTY OF COOPER B-LINE, INC. ("B-LINE"), AND IS ISSUED IN CONFIDENCE FOR B-LINE ENGINEERING PURPOSES ONLY AND MAY NOT BE REPRODUCED OR USED FOR ANY PURPOSE WHATSOEVER WITHOUT THE EXPRESS WRITTEN PERMISSION OF B-LINE TO THE USER. THIS DRAWING AND/OR TECHNICAL INFORMATION IS THE PROPERTY OF B-LINE AND IS LOANED FOR MUTUAL ASSISTANCE. TO BE RETURNED WHEN ITS INTENDED PURPOSE HAS BEEN SERVED.

 509 West Monroe St. Highland, IL 62249 Phone (800) 851-7415 FAX (800) 356-1438 www.cooperblinc.com	<b>SUBMITTAL DRAWING</b>		REFERENCE DWG(S): 00016615	SUBMITTAL NO: <b>S00016615</b>
	TITLE: <b>V-LINE TOP PANEL ASSY 550 CFM FAN</b>			DRAWN BY: RLM    REV: A
				DATE: 5/18/09
	EQUIPMENT FURNISHED HAS BEEN FABRICATED IN ACCORDANCE WITH THIS DRAWING.		MODEL SOURCE FILE: 00016615	REV: 00